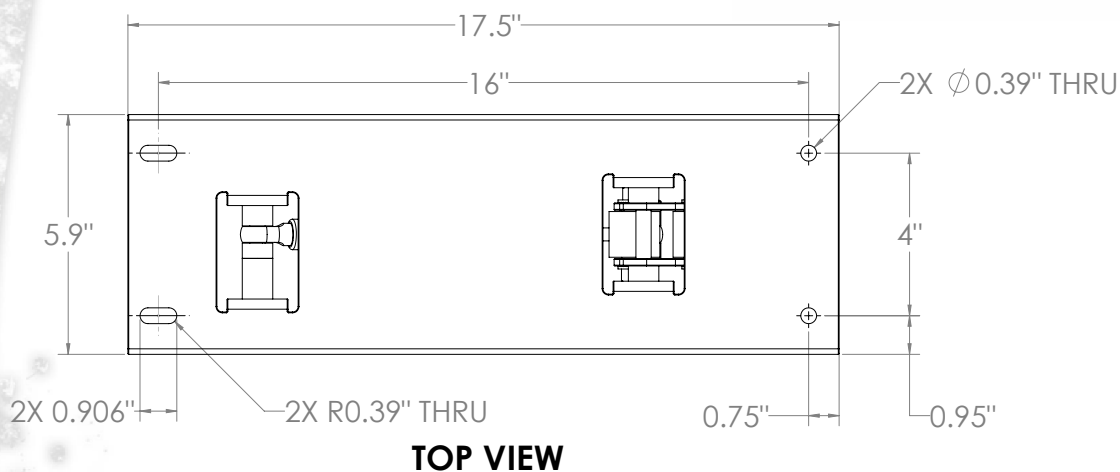
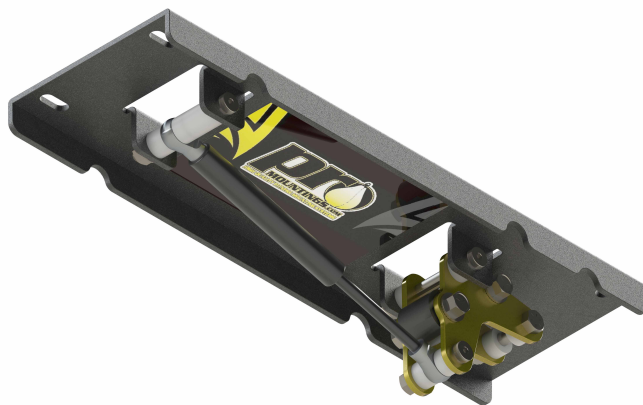




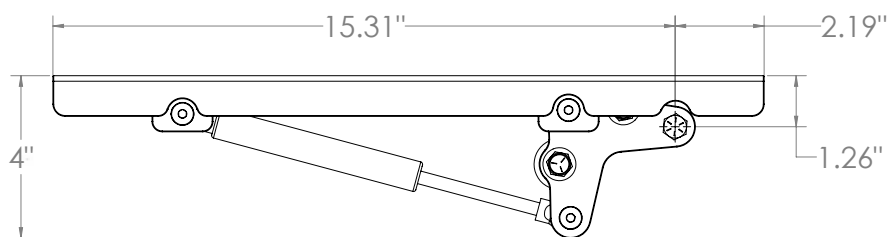
DATA SHEET

CM-1000GS CEILING MOUNT

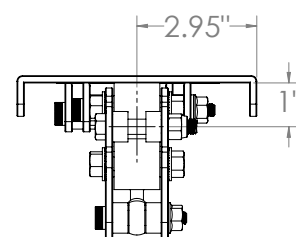
**MODEL CM-1000GS
- UP TO 130LB BAGS**



TOP VIEW



FRONT VIEW



SIDE VIEW





DATA SHEET

CM-1000GS CEILING MOUNT

**MODEL CM-1000GS
- UP TO 130LB BAGS**



PRODUCT DETAILS

- Equipped with Gas Springs to dampen vibration.
- For Heavy Bags 70 lbs to 130 lbs
- Fabricated from 3/16" steel for superior strength.
- Every Ceiling Mount is assembled to a specific bag weight +/- 10lbs.
- Gas shock can be changed to accommodate different bags.
- Easily attaches to open joists, drywall, concrete, and Unistrut.
- Black Textured Powder Coating for Durable Lasting Finish.
- Installs in minutes.
- All mounting hardware included.
- Does not include the swivel or Extensions.
- Made in USA.



PRMOUNTINGS.COM



DATA SHEET

CM-1000GS CEILING MOUNT

MODEL CM-1000GS - UP TO 130LB BAGS

MOUNTING INSTRUCTIONS

1. Drill holes into concrete ceilings or floor joists with dimensions provided in the Installation Drawings.

For Concrete Ceilings:

2. Hammer in concrete stud bolts into holes.
3. Place 1000GS Ceiling Mount into the Concrete stud bolts.
4. Affix washers into stud bolts.
5. Fasten hex nuts onto stud bolts using a wrench or a similar tool.

For Floor Joists:

2. Position 1000GS Ceiling Mount.
3. Use socket wrench or similar tool to initially lag the screws in.
4. Tighten all screws.

